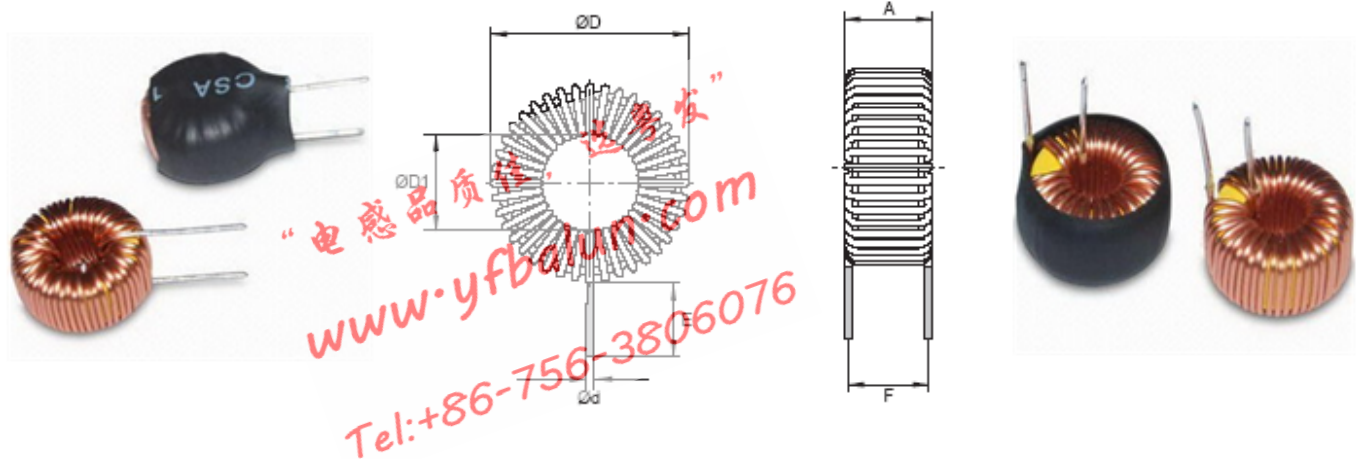


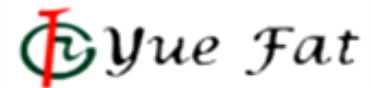
Dimensions and electrical parameters



Part No	Inductance (fL = 1 kHz)		Tol ± (%)	DCR max (mΩ)	Weight (grams)	Dimensions					
	At Idc=0A (μH)	At rated current (μH)				ØD max	F	A max	E	Ød	ØD1 min
TLC/0.1A-100M-00	10	10.0	20	300	2.0	12	4	5	10	0.15	4.5
TLC/0.1A-150M-00	15	15.0	20	370	2.0	12	4	5	10	0.15	4.5
TLC/0.1A-220M-00	22	22.0	20	440	2.0	12	4	5	10	0.15	4.5
TLC/0.1A-330M-00	33	32.9	20	530	2.0	12	4	5	10	0.15	4.5
TLC/0.1A-470M-00	47	46.8	20	640	2.0	12	4	5	10	0.15	4.5
TLC/0.1A-680M-00	68	67.6	20	760	2.0	12	4	5	10	0.15	4.5
TLC/0.1A-101M-00	100	99.3	20	930	2.0	12	4	5	10	0.15	4.5
TLC/0.1A-151M-00	150	148.5	20	1140	2.1	12	4	5	10	0.15	4.5
TLC/0.1A-221M-00	220	216.7	20	1380	2.1	12	4	5	10	0.15	4.5
TLC/0.1A-331M-00	330	324.0	20	1700	2.1	12	4	5	10	0.15	4.5
TLC/0.1A-471M-00	470	458.7	20	2020	2.2	12.5	4.5	5.5	10	0.15	4.5
TLC/0.1A-681M-00	680	656.2	20	2430	2.3	12.5	4.5	5.5	10	0.15	4.5
TLC/0.1A-102M-00	1000	955.0	20	3000	2.3	12.5	4.5	5.5	10	0.15	4.5

Part No	Inductance (fL = 1 kHz)		Tol ± (%)	DCR max (mΩ)	Weight (grams)	Dimensions					
	At Idc=0A (μH)	At rated current (μH)				ØD max	F	A max	E	Ød	ØD1 min
TLC/0.25A-100M-00	10	10.0	20	120	2.0	12	4	5	10	0.15	4.5
TLC/0.25A-150M-00	15	14.9	20	150	2.0	12	4	5	10	0.15	4.5
TLC/0.25A-220M-00	22	21.8	20	180	2.1	12	4	5	10	0.15	4.5
TLC/0.25A-330M-00	33	32.6	20	215	2.1	12	4	5	10	0.15	4.5
TLC/0.25A-470M-00	47	46.3	20	260	2.1	12	4	5	10	0.15	4.5
TLC/0.25A-680M-00	68	66.5	20	305	2.2	12	4	5	10	0.15	4.5
TLC/0.25A-101M-00	100	97.0	20	370	2.2	12	4	5	10	0.15	4.5
TLC/0.25A-151M-00	150	143.5	20	455	2.3	12	4	5	10	0.15	4.5
TLC/0.25A-221M-00	220	207.2	20	550	2.3	12.5	4	5	10	0.15	4.5
TLC/0.25A-331M-00	330	303.3	20	675	2.4	12.5	4	5	10	0.15	4.5
TLC/0.25A-471M-00	470	429.6	20	945	3.3	14	4.5	6.5	10	0.15	4.5
TLC/0.25A-681M-00	680	602.5	20	1140	3.5	14	4.5	6.5	10	0.15	4.5
TLC/0.25A-102M-00	1000	849.0	20	1370	3.6	14	4.5	6.5	10	0.15	4.5

Toroidal Inductors

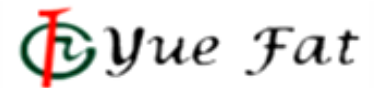


Part No	Inductance (fL = 1 kHz)		Tol ± (%)	DCR max (mΩ)	Weight (grams)	Dimensions					
	At Idc=0A (μH)	At rated current (μH)				ØD max	F	A max	E	Ød	ØD1 min
TLC/0.5A-100M-00	10	9.9	20	70	2.8	14	5.5	6.5	10	0.32	5
TLC/0.5A-150M-00	15	14.8	20	86	2.9	14	5.5	6.5	10	0.32	5
TLC/0.5A-220M-00	22	21.5	20	105	2.9	14	5.5	6.5	10	0.32	5
TLC/0.5A-330M-00	33	32.0	20	130	3.0	14	5.5	6.5	10	0.32	5
TLC/0.5A-470M-00	47	45.0	20	150	3.0	14	5.5	6.5	10	0.32	5
TLC/0.5A-680M-00	68	64.2	20	185	3.1	14	5.5	6.5	10	0.32	5
TLC/0.5A-101M-00	100	92.5	20	220	3.2	14	5.5	6.5	10	0.32	5
TLC/0.5A-151M-00	150	134.7	20	270	3.4	14	5.5	6.5	10	0.32	5
TLC/0.5A-221M-00	220	203.7	20	340	6.1	19	5.5	6.5	10	0.32	7
TLC/0.5A-331M-00	330	296.7	20	420	6.4	19	5.5	6.5	10	0.32	7
TLC/0.5A-471M-00	470	426.3	20	560	10.0	21.5	7	8	10	0.32	7
TLC/0.5A-681M-00	680	635.7	20	680	10.5	21.5	7	8	10	0.32	10
TLC/0.5A-102M-00	1000	836.0	20	830	10.8	21.5	7	8	10	0.32	10

Part No	Inductance (fL = 1 kHz)		Tol ± (%)	DCR max (mΩ)	Weight (grams)	Dimensions					
	At Idc=0A (μH)	At rated current (μH)				ØD max	F	A max	E	Ød	ØD1 min
TLC/1A-100M-00	10	9.6	20	35	3.0	14.5	6	7	10	0.45	5
TLC/1A-150M-00	15	14.2	20	44	3.2	14.5	6	7	10	0.45	5
TLC/1A-220M-00	22	20.5	20	51	3.3	14.5	6	7	10	0.45	5
TLC/1A-330M-00	33	29.8	20	63	3.4	14.5	6	7	10	0.45	5
TLC/1A-470M-00	47	41.1	20	75	3.5	14.5	6	7	10	0.45	5
TLC/1A-680M-00	68	61.9	20	96	6.2	19.5	6	7	10	0.45	7
TLC/1A-101M-00	100	88.2	20	115	6.5	19.5	6	7	10	0.45	7
TLC/1A-151M-00	150	133.2	20	158	10.3	22	7.5	8.5	10	0.45	10
TLC/1A-221M-00	220	187.4	20	192	10.6	22	7.5	8.5	10	0.45	10
TLC/1A-331M-00	330	264.7	20	236	11.2	23	8.5	9.5	10	0.45	10
TLC/1A-471M-00	470	417.4	20	325	33.3	30	12.5	13.5	10	0.45	11.5
TLC/1A-681M-00	680	579.4	20	393	34.0	31	13.5	14.5	10	0.45	11.5
TLC/1A-102M-00	1000	807.0	20	476	35.0	31	13.5	14.5	10	0.45	11.5

Part No	Inductance (fL = 1 kHz)		Tol ± (%)	DCR max (mΩ)	Weight (grams)	Dimensions					
	At Idc=0A (μH)	At rated current (μH)				ØD max	F	A max	E	Ød	ØD1 min
TLC/2.5A-100M-00	10	9.2	20	14.5	6.2	20	6.5	7.5	10	0.75	6.5
TLC/2.5A-150M-00	15	13.2	20	18.5	6.5	20	6.5	7.5	10	0.75	6.5
TLC/2.5A-220M-00	22	19.7	20	21.5	10.2	23	8.5	9.5	10	0.75	9.5
TLC/2.5A-330M-00	33	28.2	20	30.0	10.6	23	8.5	9.5	10	0.75	9.5
TLC/2.5A-470M-00	47	38.3	20	36.0	11.0	23	8.5	9.5	10	0.75	9.5
TLC/2.5A-680M-00	68	51.9	20	43.5	11.6	23	8.5	9.5	10	0.75	9.5
TLC/2.5A-101M-00	100	86.0	20	60.5	34.0	30	13	14	10	0.75	11.5
TLC/2.5A-151M-00	150	122.4	20	74	35.0	30	13	14	10	0.75	11.5
TLC/2.5A-221M-00	220	167.2	20	90	36.5	30	13	14	10	0.75	11.5
TLC/2.5A-331M-00	330	250.0	20	123	49.5	36	13	14	10	0.75	16.5
TLC/2.5A-471M-00	470	372.0	20	167	87.0	45	18	19	15	0.75	21
TLC/2.5A-681M-00	680	501.0	20	200	90.0	45	18	19	15	0.75	21
TLC/2.5A-102M-00	1000	786.0	20	238	170.0	51	21	22	15	0.75	21

Toroidal Inductors



Part No	Inductance (fL = 1 kHz)		Tol ± (%)	DCR max (mΩ)	Weight (grams)	Dimensions					
	At Idc=0A (μH)	At rated current (μH)				ØD max	F	A max	E	Ød	ØD1 min
TLC/5A-100M-00	10	8.3	20	8.3	10.8	23	7.5	8.5	10	1.00	9
TLC/5A-150M-00	15	11.8	20	10.0	12.4	23	7.5	8.5	10	1.00	9
TLC/5A-220M-00	22	19.0	20	14.8	34	30	13	14	10	1.00	11
TLC/5A-330M-00	33	27.4	20	17.5	35	30	13	14	10	1.00	11
TLC/5A-470M-00	47	36.6	20	21.0	36	30	13	14	10	1.00	11
TLC/5A-680M-00	68	49.7	20	24.8	37	30	13	14	10	1.00	11
TLC/5A-101M-00	100	81.0	20	38.5	86	45	18	19	15	1.00	21
TLC/5A-151M-00	150	113.2	20	47.5	89	45	18	19	15	1.00	21
TLC/5A-221M-00	220	176.4	20	56.0	162	51	21	22	15	1.00	21
TLC/5A-331M-00	330	245.9	20	68.0	170	51	21	22	15	1.00	21
TLC/5A-471M-00	470	399.0	20	83.3	508	83	30	31	20	1.00	45
TLC/5A-681M-00	680	546.0	20	140.0	516	83	30	31	20	1.00	45
TLC/5A-102M-00	1000	749.0	20	170.0	526	83	30	31	20	1.00	45

Part No	Inductance (fL = 1 kHz)		Tol ± (%)	DCR max (mΩ)	Weight (grams)	Dimensions					
	At Idc=0A (μH)	At rated current (μH)				ØD max	F	A max	E	Ød	ØD1 min
TLC/10A-100M-00	10	8.6	20	5.3	47	37	14	15	10	1.40	15.5
TLC/10A-150M-00	15	11.9	20	6.7	49	37	14	15	10	1.40	15.5
TLC/10A-220M-00	22	18.2	20	9.0	86	47	19	20	15	1.40	20
TLC/10A-330M-00	33	25.7	20	11.0	88	47	19	20	15	1.40	20
TLC/10A-470M-00	47	33.7	20	13.5	91	47	19	20	15	1.40	20
TLC/10A-680M-00	68	52.6	20	15.5	168	53	22	23	15	1.40	20
TLC/10A-101M-00	100	70.5	20	19.5	172	53	22	23	15	1.40	20
TLC/10A-151M-00	150	122.5	20	33.5	514	85	31	32	20	1.40	43
TLC/10A-221M-00	220	167	20	41	523	85	31	32	20	1.40	43
TLC/10A-331M-00	330	231	20	50	534	85	31	32	20	1.40	43
TLC/10A-471M-00	470	357	20	65	1024	85	56	57	20	1.40	43
TLC/10A-681M-00	680	476	20	79	1041	85	56	57	20	1.40	43
TLC/10A-102M-00	1000	781	20	104	2535	110	71	72	20	1.40	50

Notes:

- 1, The inductance tolerance: J +5%; K +10%; L +15%; M +20%, customers can choose according to their own conditions, inductance tolerance!
- 2, If the standard exceeds the requirements of the above, you can also customize the product according to customer's needs!